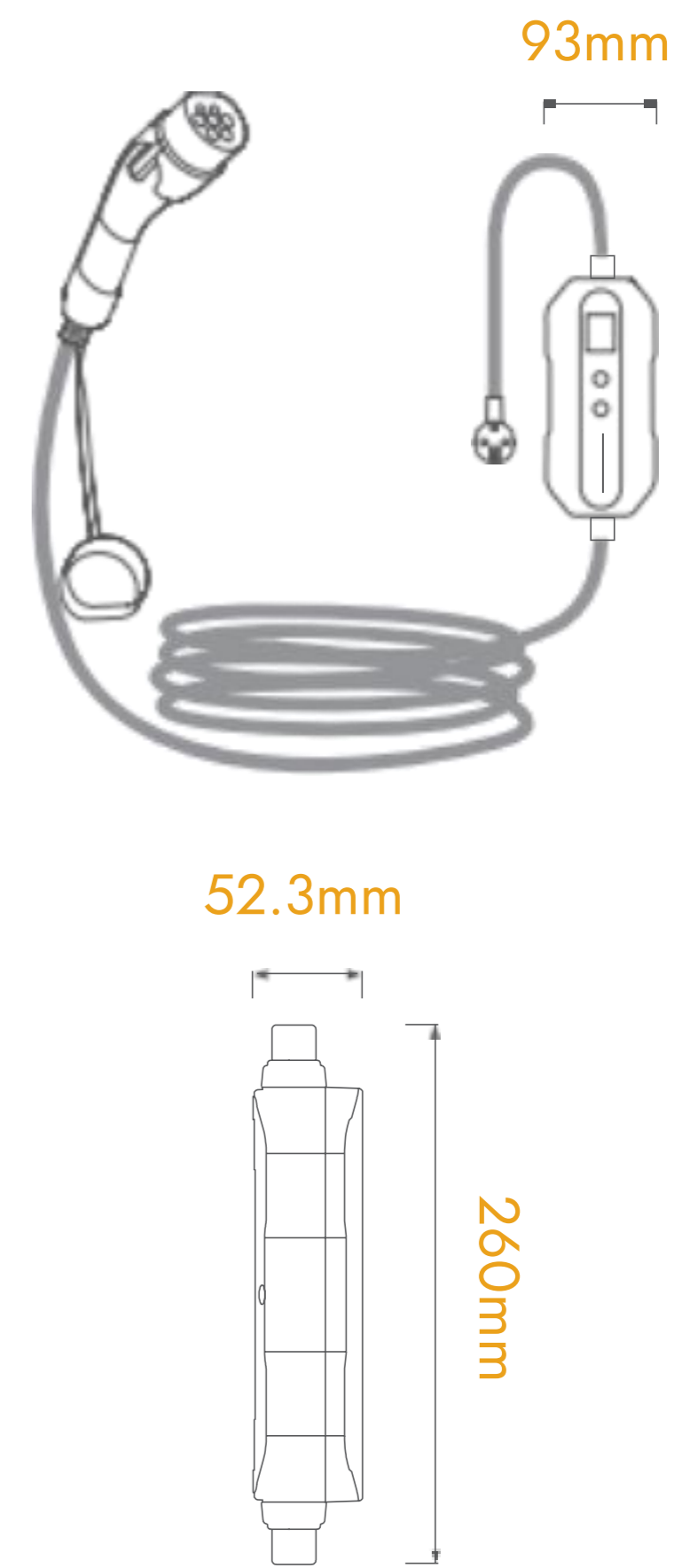


Type 2 Portable EV Charger



Dimensional Drawing



Simplify smart charging solution for multi-scenarios

Convenient Power Control

- User Friendly button for power management
- Physical button for scheduling charging

Versatile Charging Options

- 5 increments of amperes options
- Low-risk of blowing the fuse

Excellent IP Performance

- IP66 for the control box
- Seamlessly dealing with complex conditions during trips

Durable Charging Solution

- Robustness to withstand 2T car running over
- Sturdiness for 1-m height dropping

Efficient Energy Management

- Charging power intuitively displayed on the screen
- Light strip to show the charging status

Flexible Premium Cable

- 2 different sockets for up to 7.4kW charging
- Charging cable with flexibility even in harsh cold weather

Technical Specifications

Models

Model	2.5KW (MAX)	3KW (MAX)	3.7KW(MAX)	7.4KW (MAX)
Current	6-10A	6-13A	6-16A	10-32A
Plug Type	UK, Schuko, AU	UK, Schuko, AU	UK, Schuko, AU	Blue CEE
Thermostat Plug	Yes	Yes	Yes	No
Leakage protection	RCD Type A (AC 30mA) / Type A+DC 6mA			
Cable Specification	3*2.5mm ² +1*0.5mm ²		3*6mm ² +1*0.5mm ²	
Colour of Connector	Black/White			

Electric Parameters

Rated Voltage	250V AC
Rated Current	6-16A/10-32A AC, 1phase
Frequency	50-60Hz
Insulation Resistance	>1000mΩ
Terminal Temperature Rise	<50K
Withstand Voltage	2500V
Contact Resistance	0.5mΩ Max
RCD	Type A (AC 30mA) / Type A+DC 6mA

Mechanical Performance

Mechanical Life	>10000 times no-load plug in/out
Coupled Insertion Force	45N-100N
Withstandable Impact	Dropping from a 1m-height and running-over by a 2T vehicle

Material

Enclosure	Thermoplastic, UL94 V-0 flame retardant grade
Cable Material	TPU
Terminal	Silver-plated copper alloy

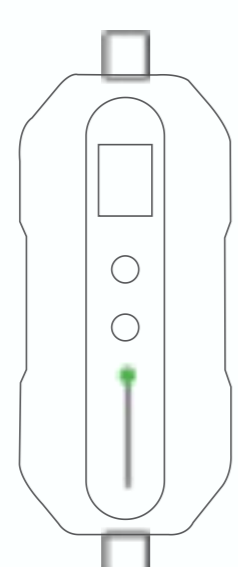
Safety and Warranty

Ingress Protection	IP55 for the EV connector and IP66 for the control box
Certificates	CE/TUV/UKCA/CB
Certification Standard	EN 62752: 2016+A1 IEC 61851, IEC 62752
Warranty	2 years

Environment

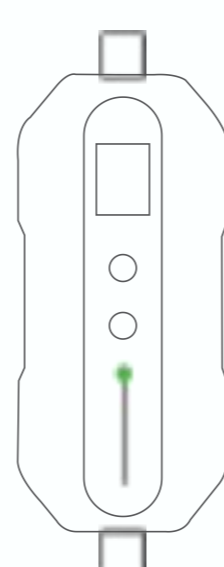
Working Temperature	-25°C~+55°C
Working Humidity	≤95%RH
Working Altitude	<2000m

Status



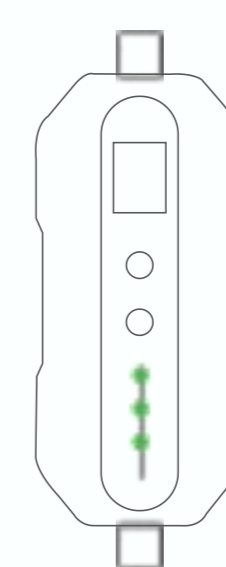
32A	
000000kWh	33°C
220V 0A	0.0kW
00:00:00	
Ready	

Ready



32A	
000000kWh	33°C
220V 0A	0.0kW
00:00:00	9h
Ready	

Time Setting
(Charge in 9 hours)



32A	
000000kWh	33°C
218V 31A	6.7kW
09:00:00	
Charging	

Charging